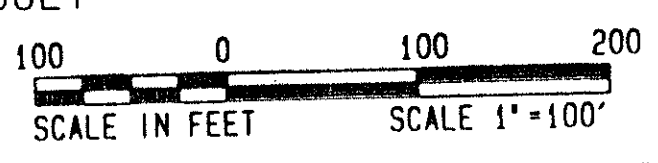


BIRKDALE CIVIC SITE

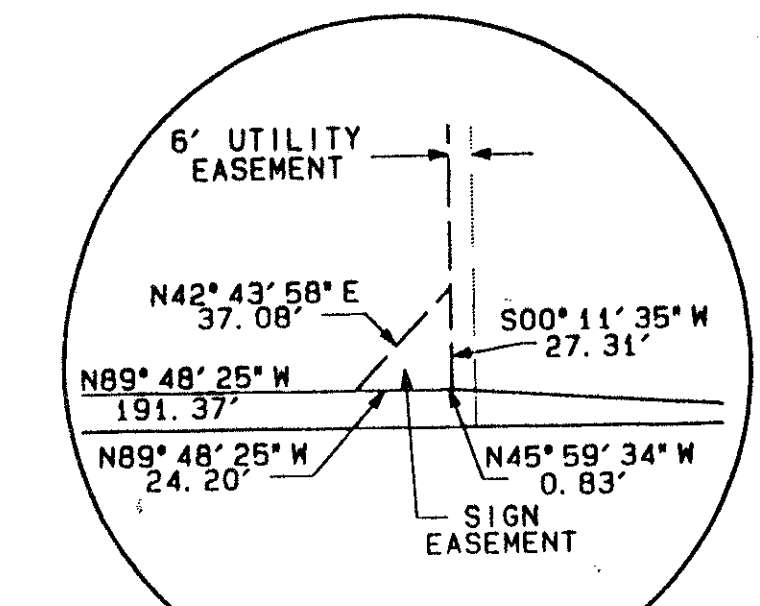
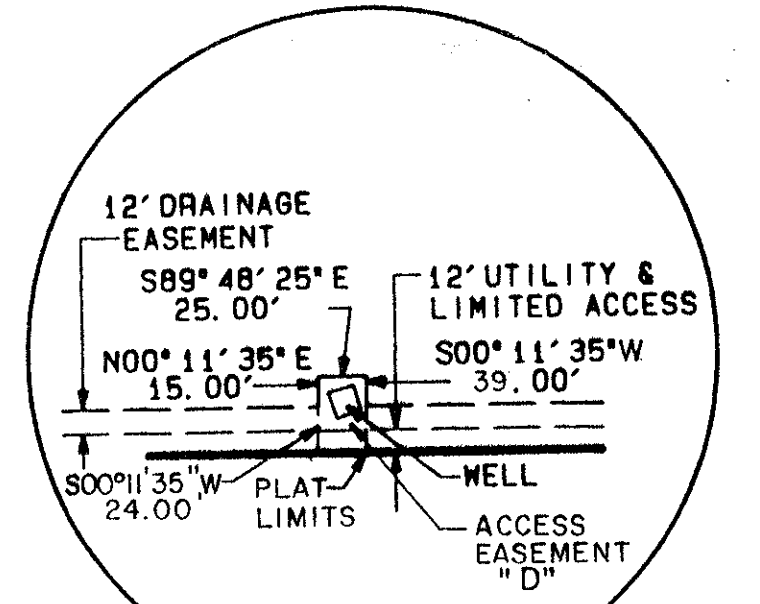
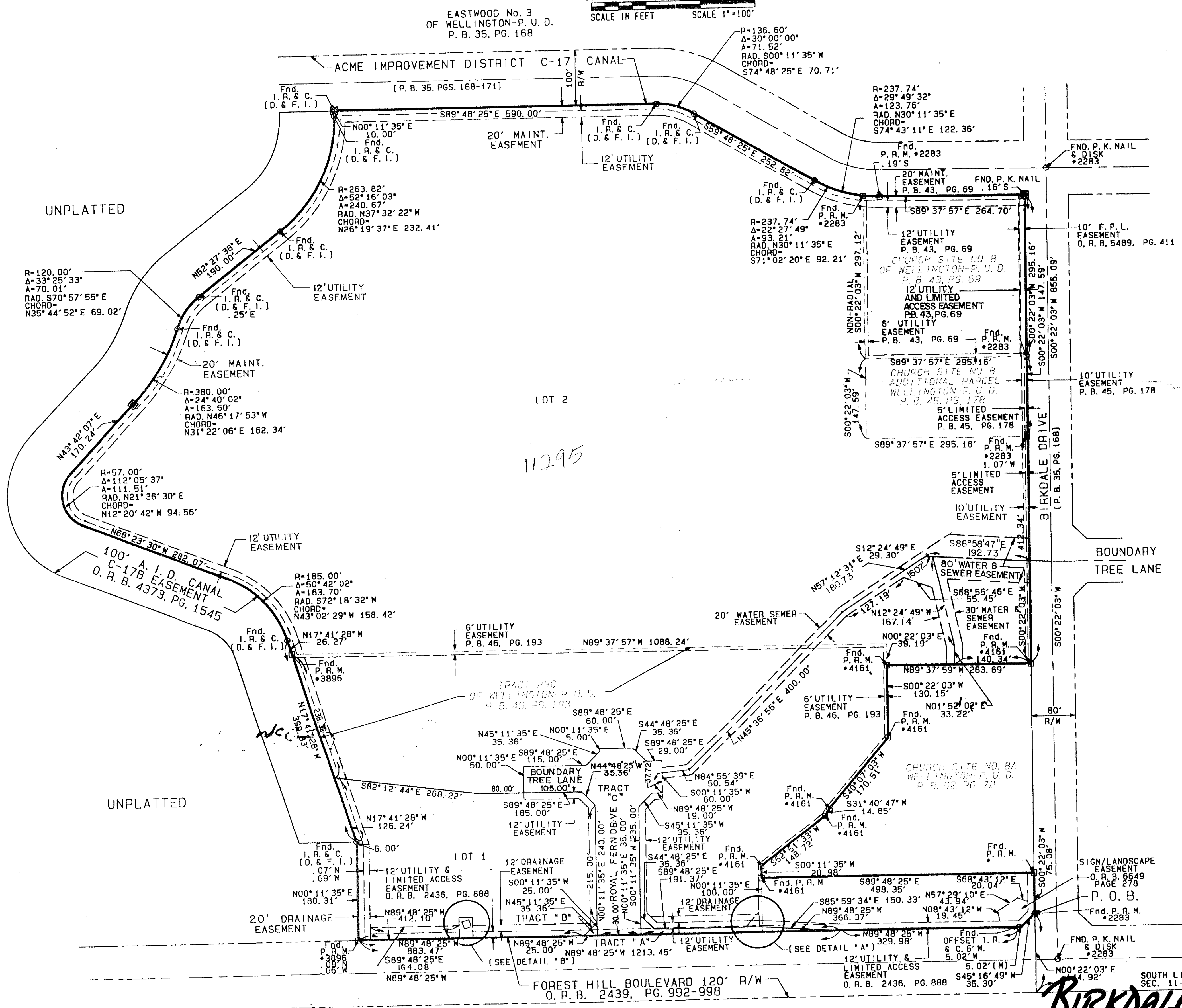
BEING A REPLAT OF CHURCH SITE NO. 8 OF WELLINGTON P. U. D., AS RECORDED IN PLAT BOOK 43, PAGE 69, OF THE PUBLIC RECORDS OF PALM BEACH COUNTY, FLORIDA, AND BEING A REPLAT OF CHURCH SITE NO. 8 ADDITIONAL PARCEL OF WELLINGTON P. U. D., AS RECORDED IN PLAT BOOK 45, PAGE 178, OF THE PUBLIC RECORDS OF PALM BEACH COUNTY, FLORIDA, AND BEING A REPLAT OF TRACT 29C OF WELLINGTON P. U. D., AS RECORDED IN PLAT BOOK 46, PAGE 193, OF THE PUBLIC RECORDS OF PALM BEACH COUNTY, FLORIDA.

IN PART OF SECTION 11, TOWNSHIP 44 SOUTH, RANGE 41 EAST
PALM BEACH COUNTY, FLORIDA
IN TWO SHEETS, SHEET NO. TWO

GEE & JENSON
ENGINEERS - ARCHITECTS - PLANNERS, INC.
WEST PALM BEACH, FLORIDA
JULY 1993



STATE OF FLORIDA
COUNTY OF PALM BEACH
This plat was filed for
record at _____ M. this _____ day
of _____ 1993, and duly
recorded in Plat Book No. _____
on Pages _____ thru _____
DOROTHY H. WILKEN
Clerk Circuit Court
By _____ D.C.



DETAIL 'B'
N. T. S.

DETAIL 'A'
N. T. S.

Pet. 86-32

0332-104

P. O. C.
S. E. COR.
SEC. 11-44-41

BIRKDALE CIVIC SITE 11 12 14 71/113

SUBDIVISION BIRKDALE CIVIC SITE
PLAT 112
AR
G2
86-32
WELLINGTON
TAZ 730